

JMTシリーズ 高電流コネクタ JMT series High current connector

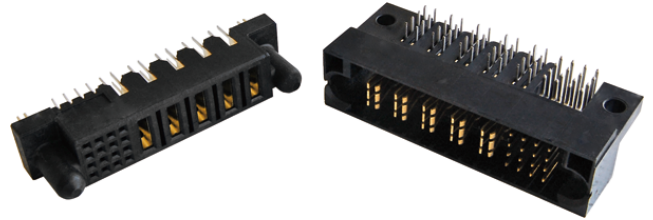
- 高電流コネクタ配列および信号コネクタピンの配列
Power contact and Signal contact pre-fixed configuration
- 低い挿抜力 Low mating force
- 高信頼性のベリリウム銅コネクタ Highly reliable beryllium contact
- 特注設計品対応 Custom design welcome

Material

Housing : PBT Black UL94V-0
Power contact : Beryllium copper, Ni over gold plating
Signal contact : Copper alloy, Ni over gold plating

Specification

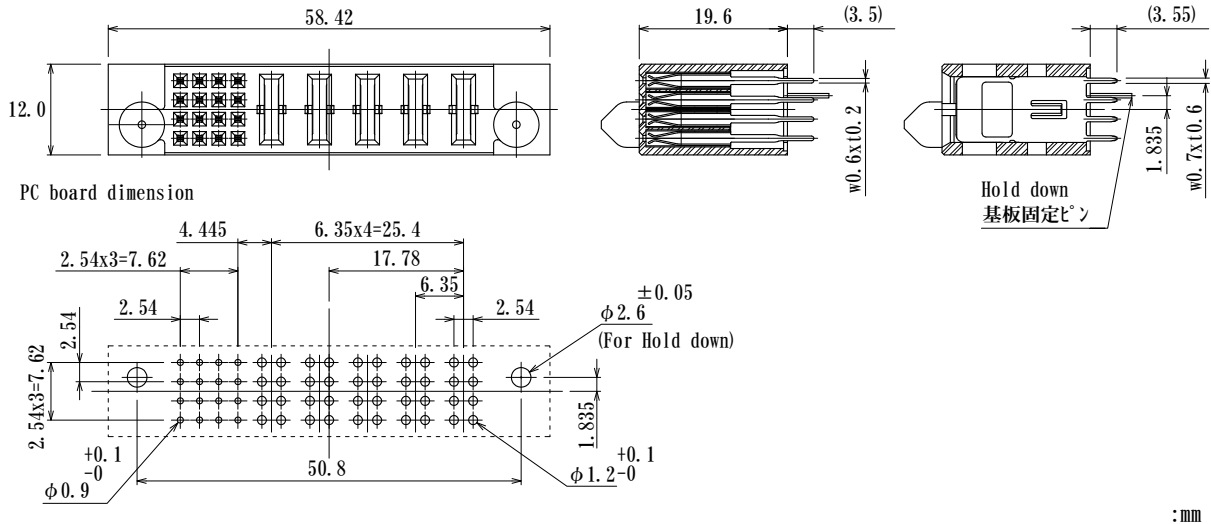
Durability : 500 cycles
Contact resistance : 20mΩ max
Current rating
Power contact : at 25°C
In case of Single contact : 50A
In case of Four Adjacent contact : 42A
Signal contact : 2.5A at 25°C
Voltage rating
Power contact : 200V 6.35mm pitch
Signal contact : 60V



Withstanding voltage

Power contact : DC2500V 6.35mm pitch
Signal contact : DC1000V
Insulation resistance
Power contact : 1000MΩ min
Signal contact : 500MΩ min
Temperature range : -20°C ~ +105°C

Socket (Straight) JMT-S0516G-10



Plug (Right Angle) JMT-P0516G-10

