

## 2 Pole Connector with locking feature 2極コネクタ、ロック付

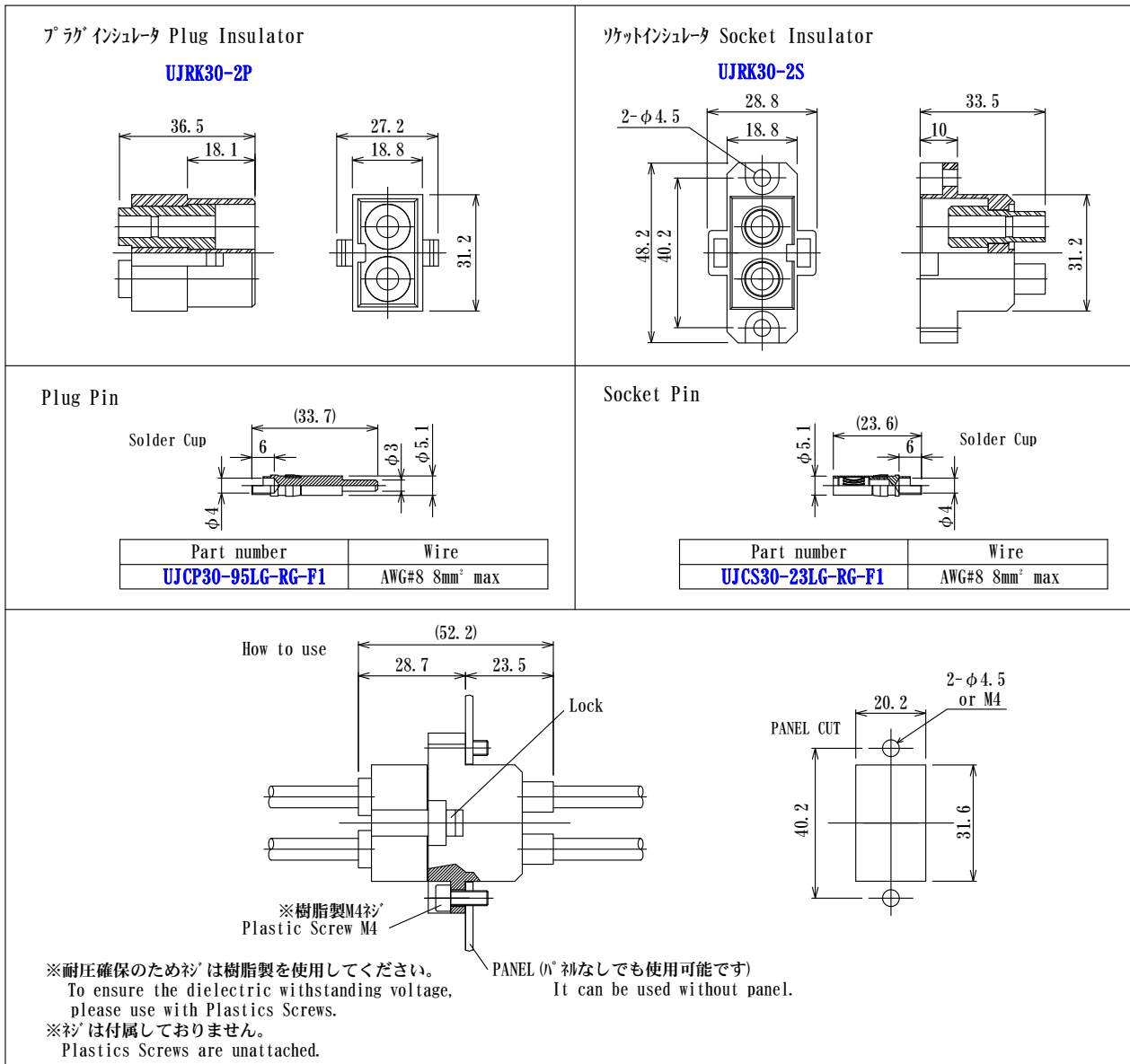
DC 5KV or DC 30A

### Specification

Current rating: DC 30A at 25°C  
(In the case of Low Voltage 低電圧のとき)  
Dielectric Strength: DC 5KV 1 minute at 25°C  
(In the case of Low Current 低電流のとき)  
Insulation Resistance: DC1000V 100MΩ min  
Contact Resistance: 3mΩ max  
Temperature range: -10°C~+80°C

### Material

Insulator: PBT, glass filled, Black  
Plug pin: Brass, Phosphor bronze, Gold plating over Ni  
Socket pin  
Louver: Beryllium Copper, Heat treated  
Gold Plating over Nickel plating  
Sleeve: Brass, Gold Plating over Ni plating

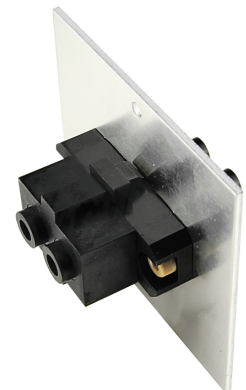


### How to order (example)

**UJRK30-2P** 50pcs  
**UJCP30-95LG-RG-F1** 100pcs  
**UJRK30-2S** 50pcs  
**UJCS30-23LG-RG-F1** 100pcs

- ピン (ソケット、プラグ 共通) 組込み後、ピン抜き治具を使用するとピンを引き抜けます。  
Both pins (socket and plug) are removal with pin removal tool.
- 工具、治具は専用ですのでお問い合わせください。  
Please consult factory about tools.

特注品に対応出来ますので、お問い合わせ下さい。  
We welcome your custom design products.



## 2 Pole Connector with locking feature 2極コネクタ、ロック付

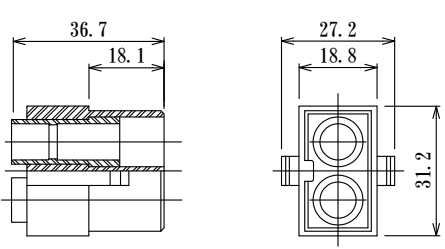
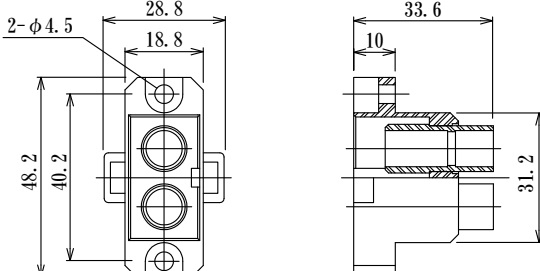
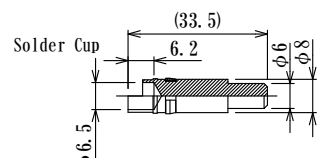
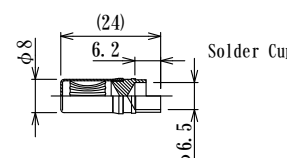
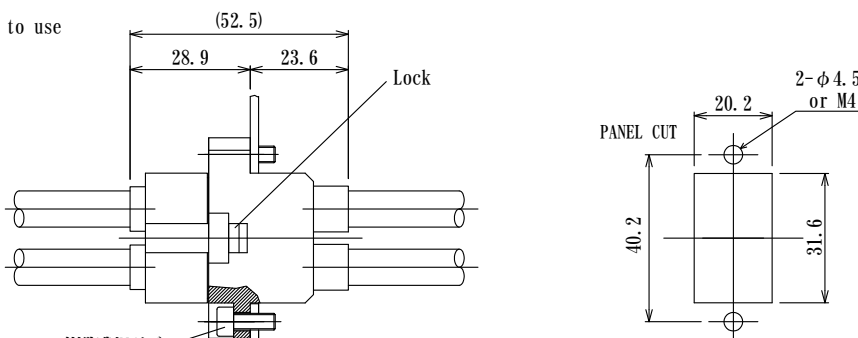
DC 5KV or DC 60A

### Specification

Current rating: DC 60A at 25°C  
(In the case of Low Voltage 低電圧のとき)  
Dielectric Strength: DC 5KV 1 minute at 25°C  
(In the case of Low Current 低電流のとき)  
Insulation Resistance: DC1000V 100MΩ min  
Contact Resistance: 3mΩ max  
Temperature range: -10°C~+80°C

### Material

Insulator: PBT, glass filled, Black  
Plug pin: Brass, Phosphor bronze, Gold plating over Ni  
Socket pin  
Louver: Beryllium Copper, Heat treated  
Gold Plating over Nickel plating  
Sleeve: Brass, Gold Plating over Ni plating

<p>プラグインシュレータ Plug Insulator <b>UJRK60-2P</b></p> 	<p>ソケットインシュレータ Socket Insulator <b>UJRK60-2S</b></p> 								
<p>Plug Pin</p>  <table border="1" data-bbox="287 1097 766 1164"> <thead> <tr> <th>Part number</th> <th>Wire</th> </tr> </thead> <tbody> <tr> <td><b>UJCP60-95LG-RG</b></td> <td>AWG#2 38mm<sup>2</sup> max</td> </tr> </tbody> </table>	Part number	Wire	<b>UJCP60-95LG-RG</b>	AWG#2 38mm <sup>2</sup> max	<p>Socket Pin</p>  <table border="1" data-bbox="909 1097 1388 1164"> <thead> <tr> <th>Part number</th> <th>Wire</th> </tr> </thead> <tbody> <tr> <td><b>UJCS60-24LG-RG</b></td> <td>AWG#2 38mm<sup>2</sup> max</td> </tr> </tbody> </table>	Part number	Wire	<b>UJCS60-24LG-RG</b>	AWG#2 38mm <sup>2</sup> max
Part number	Wire								
<b>UJCP60-95LG-RG</b>	AWG#2 38mm <sup>2</sup> max								
Part number	Wire								
<b>UJCS60-24LG-RG</b>	AWG#2 38mm <sup>2</sup> max								
<p>How to use</p>  <p>※樹脂製M4ネジ Plastic Screw M4</p> <p>※耐圧確保のためネジは樹脂製を使用してください。 To ensure the dielectric withstanding voltage, please use with Plastics Screws.</p> <p>※ネジは付属していません。 Plastics Screws are unattached.</p> <p>PANEL (φネジなしでも使用可能です) It can be used without panel.</p>									

### How to order (example)

<b>UJRK60-2P</b>	50pcs
<b>UJCP60-95LG-RG</b>	100pcs
<b>UJRK60-2S</b>	50pcs
<b>UJCS60-24LG-RG</b>	100pcs

- ピン(ソケット、プラグ 共通) 組込み後、ピン抜き治具を使用するとピンを引き抜けます。  
Both pins (socket and plug) are removal with pin removal tool.
- 工具、治具は専用ですのでお問い合わせください。  
Please consult factory about tools.



特注品に対応出来ますので、お問い合わせ下さい。  
We welcome your custom design products.

## 2 Pole 3A Connector with locking feature 2極コネクタ、ロック付

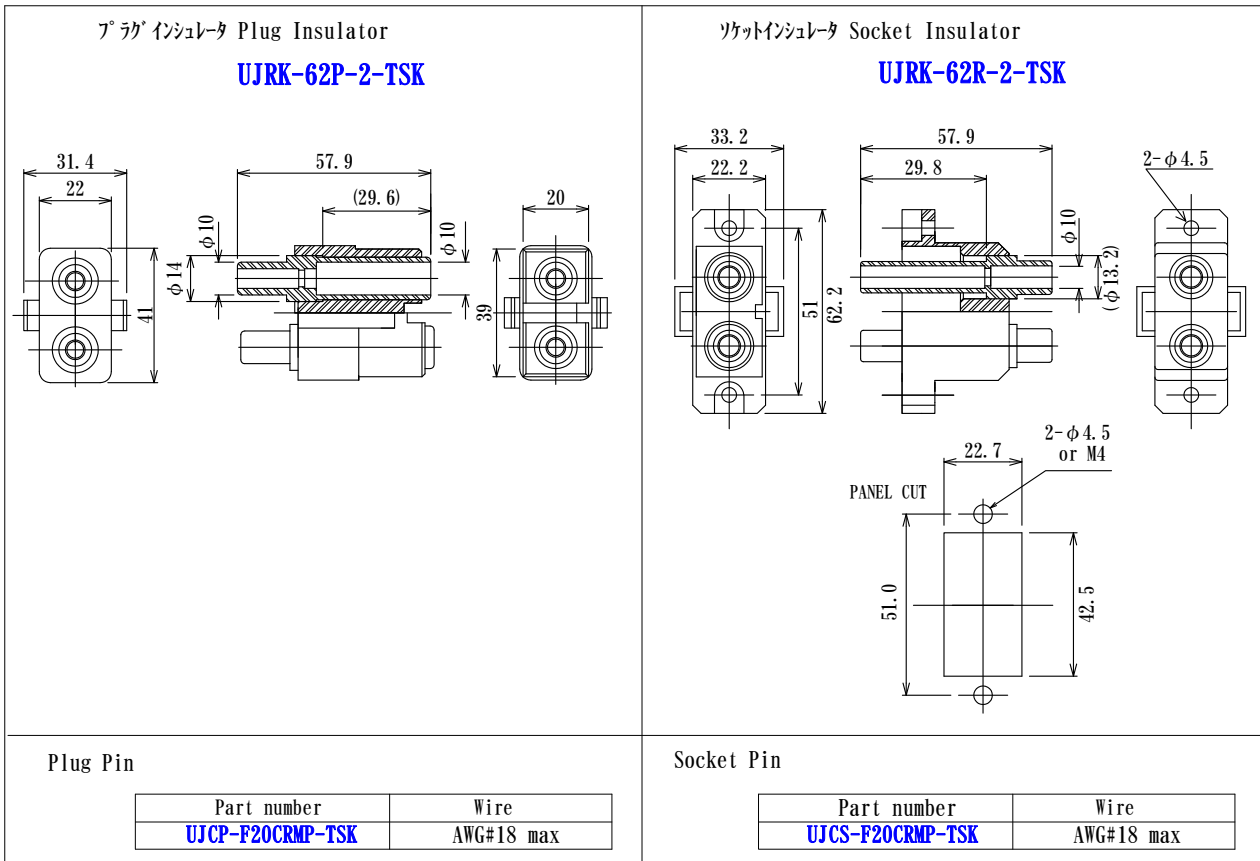
DC30KV

### Specification

Current rating: 3A  
 Dielectric Strength: DC 30KV 1 minute  
 Insulation Resistance: DC1000V 100MΩ min  
 Contact Resistance: 3mΩ max  
 Temperature range: -10℃~+80℃

### Material

Insulator: PBT, glass filled, Black  
 Plug pin: Brass, Phosphor bronze, Gold plating over Ni  
 Socket pin  
 Louver: Beryllium Copper, Heat treated  
 Gold Plated over Ni plating  
 Sleeve: Brass, Gold Plating over Ni plating



### How to order (example)

**UJRK62-2-TSK** 10pcs  
**UJCP-F20CRMP-TSK** 20pcs  
**UJRK62-2-TSK** 10pcs  
**UJCS-F20CRMP-TSK** 20pcs

- ピンと電線の結線に圧着工具が必要です。  
Crimping Tool is needed.
- ピン(ソケット、プラグ 共通) 組込み後、ピン抜き治具を使用するとピンを引き抜けます。  
Both pins (socket and plug) are removal with pin removal tool.
- 工具、治具は専用ですのでお問い合わせください。  
Please consult factory about tools.

