

Mピンプローブ M-pin Probe

高電流、高周波、高温環境など高いパフォーマンスを実現したプローブです。
バーンインソケット、テストソケット、基板間ソケット等に対応します。

High performance probe for high current, high frequency,
and high-temp circumstance.

For burn-in socket, test socket, and board to board.

Specification

Temperature range: -40°C ~ +150°C
Contact resistance: 50mΩ max





Material

Plunger: BeCu, Gold over Ni plated
Spring : Stainless Steel, Gold over Ni plated



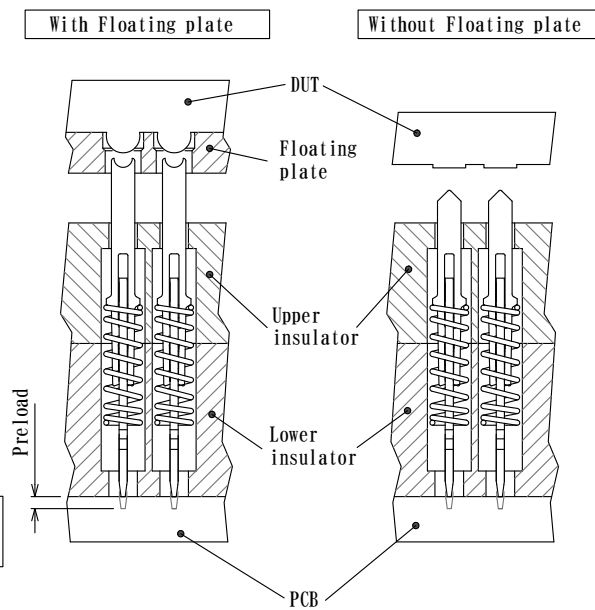
構造図

Component drawing

先端形状 Head style	対象物 Target objects
point 	Pad Land (LGA) Pin Lead (QFP, SOP)
Full radius 	Pad Land (LGA)
U shape 	Pad Land (LGA) Pin Lead (QFP, SOP) BGA CSP
V shape 	Pad Land (LGA) Pin Lead (QFP, SOP) BGA CSP

(参考 reference)

使用例 How to use

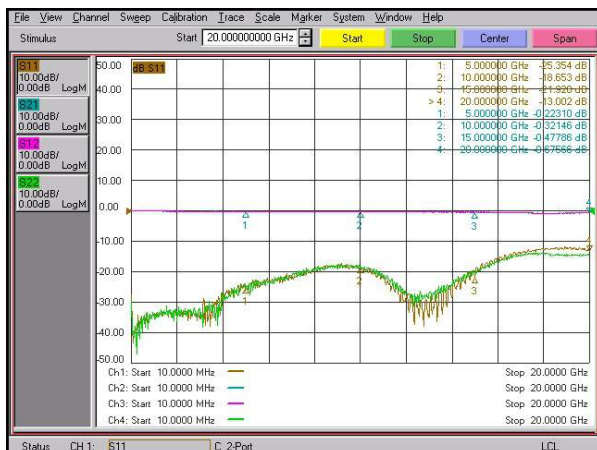


High frequency characteristic

Return loss — —

Insertion loss — —

Test sample
P/N MD59L301R-029N
pitch:0.8mm



-0.68dB:20GHz

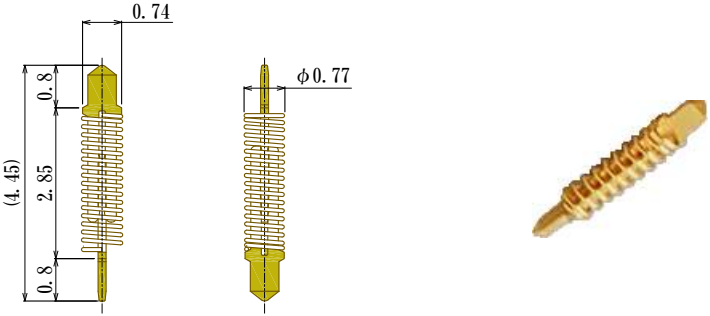
-13dB:20GHz

M-pin probe使用製品
Our product lineup utilizing M-pin probe

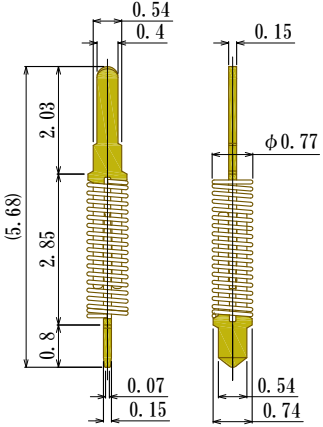
*Mピンプローブ 基板間コネクタ
M-pin Probe Assy, for Board to Board

Page 3C1をご参照
ください。

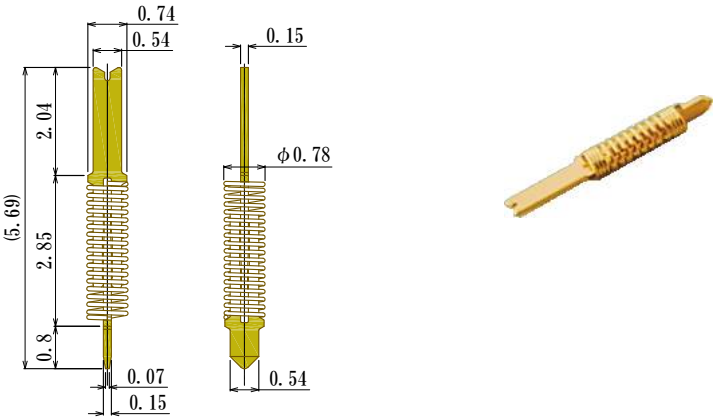
M-pin Probe Mピンプローブ Outer Dia. $\phi 0.77 \sim 0.78\text{mm} / 0.030 \sim 0.031''$
 1.0mm pitch, etc.



Part No.	Preload	Recommended travel	Current rating
MD77L445C-019N	0.1N (10.1gf)	0.166N (17.0gf) at 0.5mm travel	4A
MD77L445C-034N	0.18N (18.1gf)	0.295N (30.1gf) at 0.5mm travel	4A

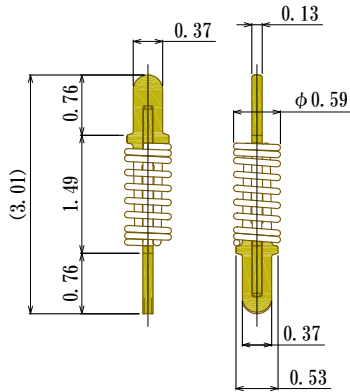


Part No.	Preload	Recommended travel	Current rating
MD77L568R-019N	0.1N (10.1gf)	0.166N (17.0gf) at 0.5mm travel	4A
MD77L568R-034N	0.18N (18.1gf)	0.295N (30.1gf) at 0.5mm travel	4A



Part No.	Preload	Recommended travel	Current rating
MD78L569V-019N	0.1N (10.1gf)	0.166N (17.0gf) at 0.5mm travel	4A
MD78L569V-034N	0.18N (18.1gf)	0.295N (30.1gf) at 0.5mm travel	4A

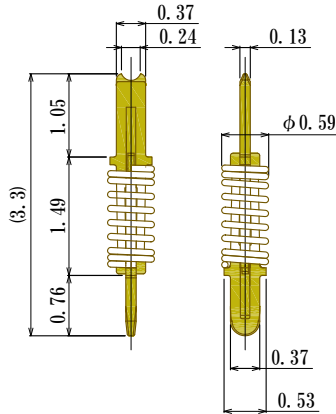
M-pin Probe Mピンプローブ Outer Dia. $\phi 0.59\text{mm} / 0.023''$
 0.8mm pitch, etc.



Preload 0.09N (9.4gf)
 0.254N (25.9gf) at 0.4mm travel
 Current rating 3A

MD59L301R-029N

0.8mm pitch, etc.

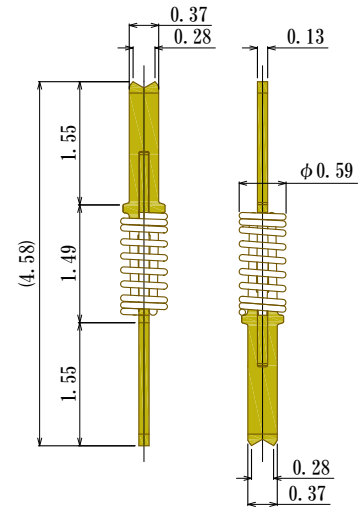


Preload 0.09N (9.4gf)
 0.254N (25.9gf) at 0.4mm travel
 Current rating 3A

MD59L33U-029N

0.8mm pitch, etc.

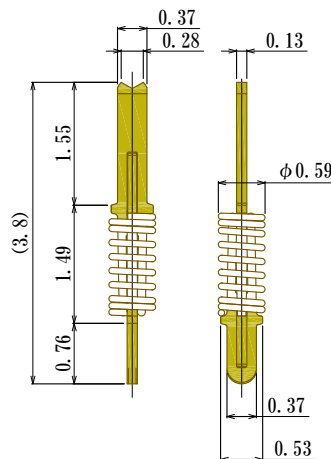
限定数量品



Preload 0.09N (9.4gf)
 0.254N (25.9gf) at 0.4mm travel
 Current rating 3A

MD59L458V-029N

0.8mm pitch, etc.



Part No.	Preload	Recommended travel	Current rating
MD59L38V-015N	0.06N (5.7gf)	0.151N (15.4gf) at 0.4mm travel	3A
MD59L38V-029N	0.09N (9.4gf)	0.254N (25.9gf) at 0.4mm travel	3A

0.8mm pitch, etc.

M-pin Probe Mピンプローブ Outer Dia. $\phi 0.38\text{mm} / 0.015''$
 0.5mm pitch, etc.

Preload 0.21N (21.2gf)
 0.281N (28.6gf) at 0.33mm travel
 Current rating 2.9A

MD38L295C-030N
 0.5mm pitch, etc.

Preload 0.21N (21.2gf)
 0.281N (28.6gf) at 0.33mm travel
 Current rating 2.9A

MD38L34U-030N
 0.5mm pitch, etc.

限定数量品

Preload 0.21N (21.2gf)
 0.281N (28.6gf) at 0.33mm travel
 Current rating 2.9A

MD38L348C-030N
 0.5mm pitch, etc.

Preload 0.21N (21.2gf)
 0.281N (28.6gf) at 0.33mm travel
 Current rating 2.9A

MD38L385V-030N
 0.5mm pitch, etc.

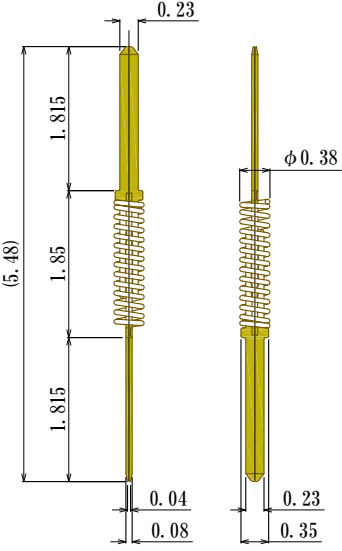
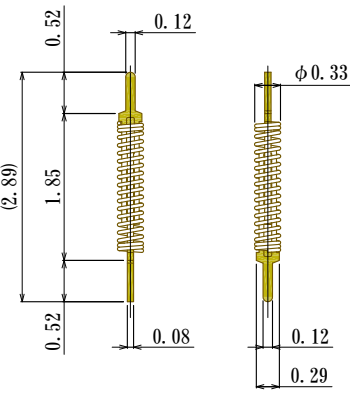
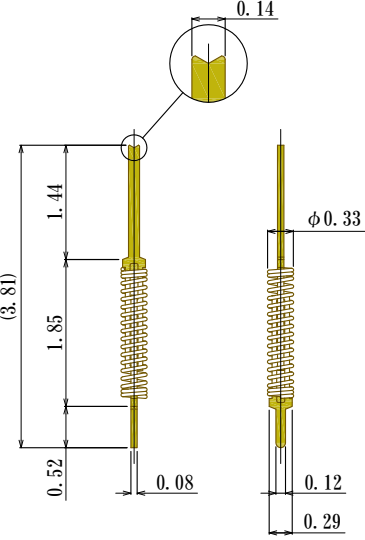
Preload 0.21N (21.2gf)
 0.281N (28.6gf) at 0.33mm travel
 Current rating 2.9A

MD38L448C-030N
 0.5mm pitch, etc.

Preload 0.21N (21.2gf)
 0.281N (28.6gf) at 0.33mm travel
 Current rating 2.9A

MD38L476V-030N
 0.5mm pitch, etc.

**M-pin Probe Mピンプローブ Outer Dia. $\phi 0.33 \sim \phi 0.38\text{mm} / 0.013 \sim 0.015''$
0.4~0.5mm pitch, etc.**

 <p>Preload 0.21N (21.2gf) 0.281N (28.6gf) at 0.33mm travel Current rating 2.9A</p> <p>MD38L548C-030N 0.5mm pitch, etc.</p>		
 <p>Preload 0.06N (6.6gf) 0.129N (13.2gf) at 0.3mm travel Current rating 1.8A</p> <p>MD33L289R-014N 0.4mm pitch, etc.</p>	 <p>Preload 0.06N (6.6gf) 0.129N (13.2gf) at 0.3mm travel Current rating 1.8A</p> <p>MD33L381V-014N 0.4mm pitch, etc.</p>	

**M-pin Probe Mピンプローブ Outer Dia. $\phi 0.27\text{mm}/0.010''$
0.35mm pitch**

Material

Plunger: BeCu, Gold over Ni plated

Spring : Stainless Steel, Gold over Ni plated

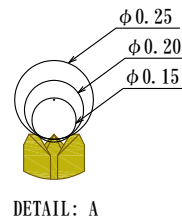
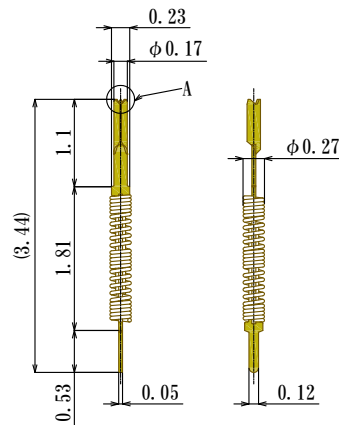
Specification

Spring force : 0.078N (8.0gf) at 0.3mm travel

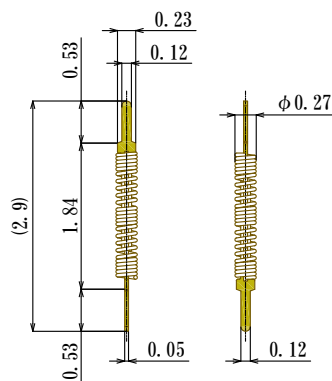
Contact resistance: $< 65\text{m}\Omega$

Temperature range : $-55^{\circ}\text{C} \sim +135^{\circ}\text{C}$

Current rating : 0.5A



MD27L344W-009N



MD27L29R-009N