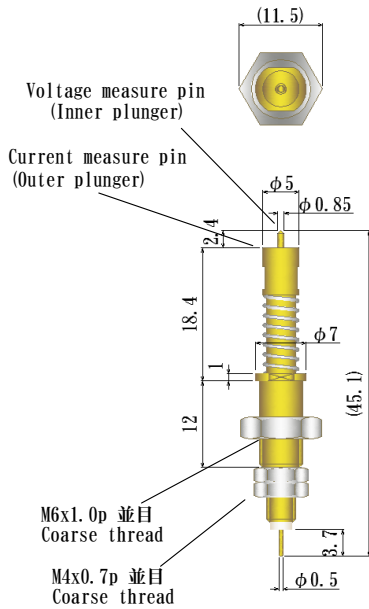


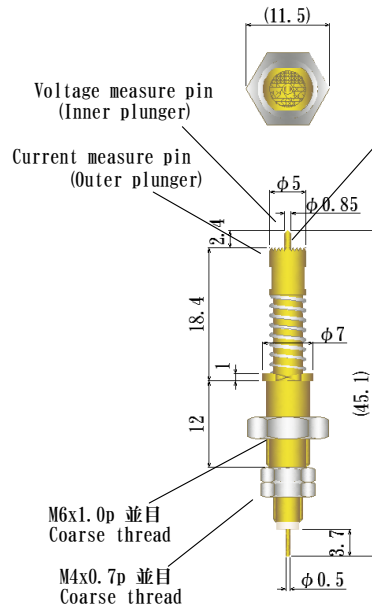
High Current Kelvin Probe with Mono Plunger $\phi 5$, length 45.1mm

高電流 ケルビンプローブピン 81K series



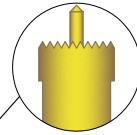
81K-F5L451-FLT

Plunger head style : Flat

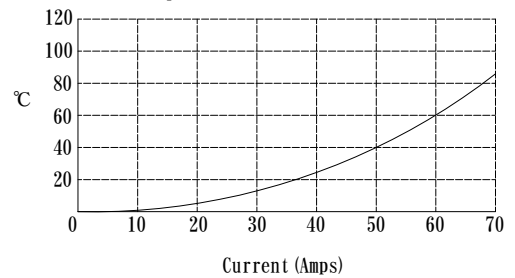


81K-F5L451-CRN

Plunger head style : Multi point crown



81K-F5L451-FLT
Temperature Rise (Reference)



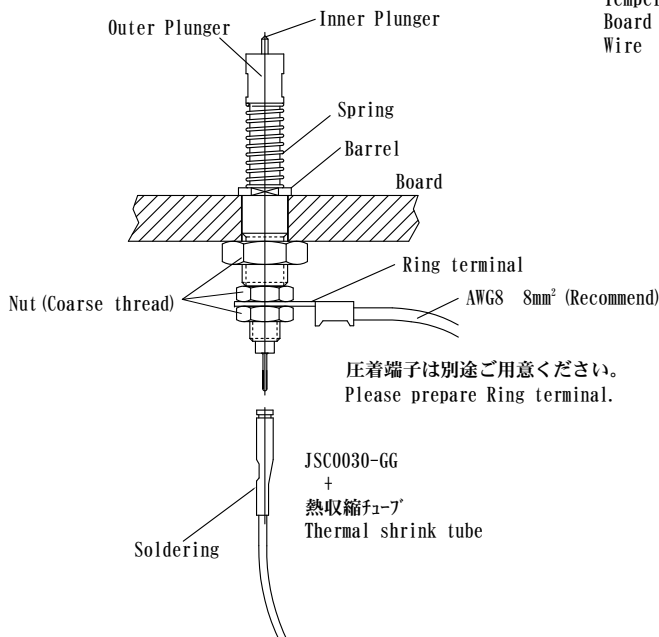
Parts	Material	Finish
Inner Plunger	SK	Gold over Ni plated
Outer Plunger	Copper Alloy	Gold over Ni plated
Spring	SUS	-
Barrel	Brass	Gold over Ni plated
Nut	Brass	Ni plated

Spring specification

	Preload [N]	Specified		Full travel [mm]
		load [N]	travel [mm]	
Outer plunger	2.0	4.8	5	6.5
Inner plunger	0.1	0.6	2.4	-

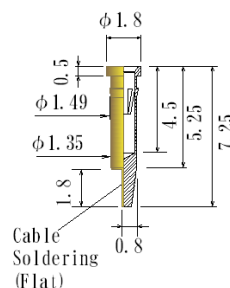
Call us for your custom specification.

How to assemble to board (example)



- Durability 50,000 cycles
- Temperature range -40°C~+100°C
- Board thickness 6~8mm
- Wire AWG8 8mm² (Recommend)

Round Socket pin

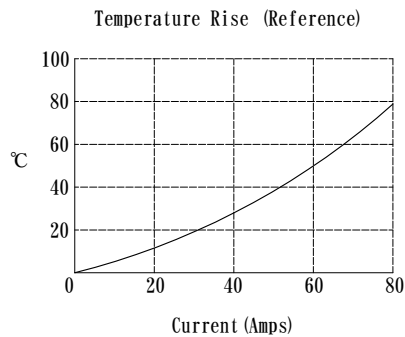
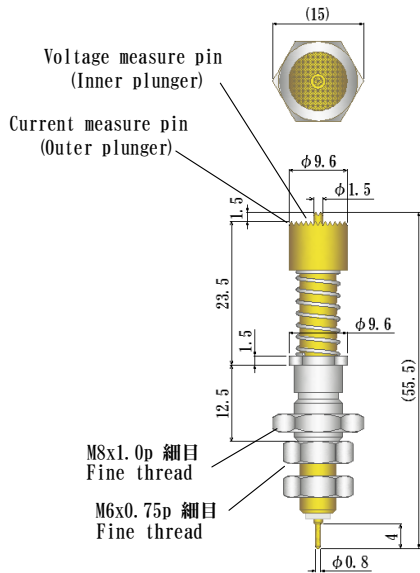


Cable Soldering (Flat)

JSC0030-GG



High Current Multi Contact Kelvin Probe with Mono Plunger $\phi 9.6$, length 55.5mm 高電流 多点接触式 ケルビンプローブピン 81K series



81K-F10L55-CRN

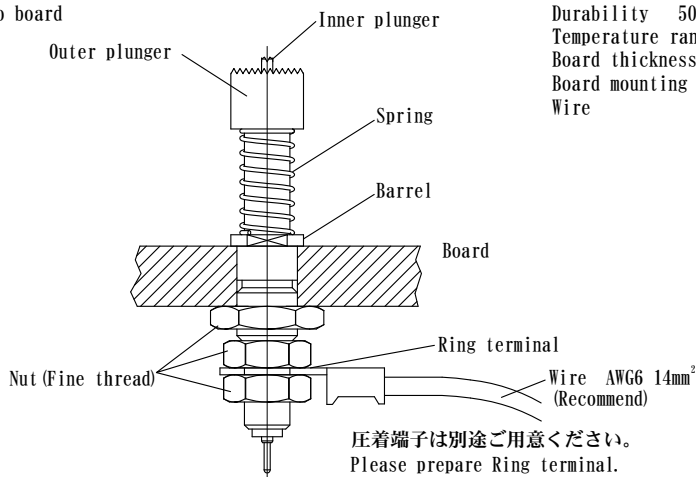
Parts	Material	Finish
Inner Plunger	SK	Gold over Ni plated
Outer Plunger	Copper Alloy	Gold over Ni plated
Spring	SUS	
Barrel	SUS	
Nut	Brass	Ni plated

Spring specification.

	Specified		Full travel [mm]
	load [N]	travel [mm]	
Outer plunger	5.1	4.5	8
Inner plunger	1.6	1.5	-

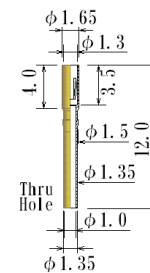
Call us for your custom specification.

How to assemble to board
(example)



Durability 50,000 cycles
Temperature range $-40^{\circ}\text{C} \sim +100^{\circ}\text{C}$
Board thickness 6~8mm
Board mounting hole $\phi 8.2$ (Reference)
Wire AWG6 14mm^2 (Recommend)

Round Socket pin



PDKP15-12L-GG

