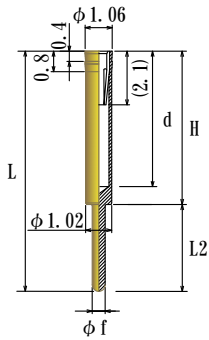
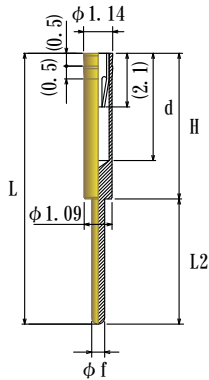


Acceptable Plug $\phi 0.64 \sim \phi 0.38\text{mm}$, Socket Pins



Parts Number	Length L	Length L2	Depth d	Hight H	ϕf
NZG8809-GG	8.8	5.0	3.4	3.8	0.4
NZG88094-GG	9.4	3.4	5.3	6.0	0.51
NZG8810-GG	10.2	6.2	3.5	4.0	
NZG8811-GG	10.6	6.8	3.4	3.8	
NZG8820-GG	20.0	13.0	6.0	7.0	0.46

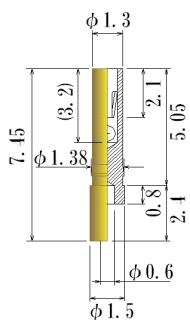
(N88)



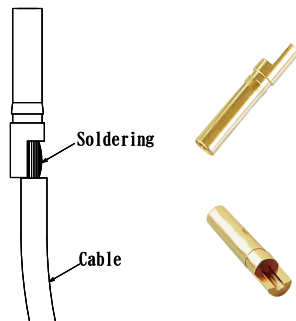
Parts Number	Length L	Length L2	Depth d	Hight H	ϕf	
NZG88106-GG	10.6	4.9	4.2	5.7	0.51	注) 1
NZG88106-GG-H	10.6	4.9	4.2	5.7		
NZG88117-GG	11.7	4.0	4.2	7.7		
NZG88137-GG	13.7	5.7	6.5	8.0	0.46	
NZG8816-GG	16.0	8.0	6.5	8.0		

注) 1 非磁性仕様ピン Non magnetic type

(N88)

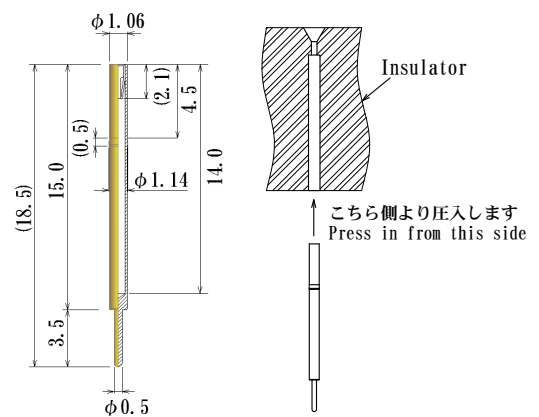


How to use



N88F1315L74

(N88)



N88R150L185A-GG

(N88)