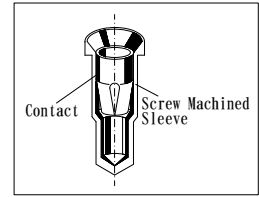


高耐熱ソケットピン Socket Pins, High Temperature

高耐熱 250°C



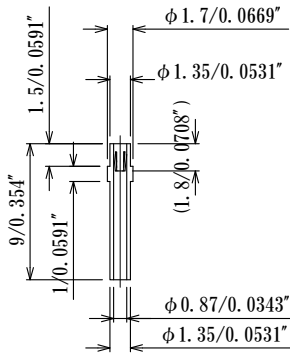
Material
 Sleeve : Brass Gold over Ni plating
 Contact : Nickel Beryllium copper
 Heat treated
 Gold over Ni plating
 Operating temperature : -55°C ~ +250°C



使用予定のプラグ（リード）と事前に挿抜を確認していただくことを推奨します。
 It is recommended to pre-confirm Mating/Unmating force you expect.

適合プラグ径 : $\phi 0.25 \sim \phi 0.39\text{mm}$
 Acceptable Plug dia. $\phi 0.0098'' \pm \phi 0.0154''$

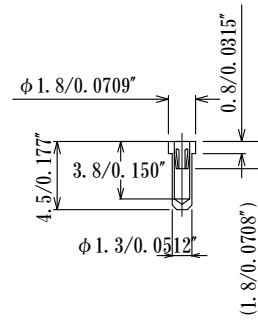
NB095-F185-CBL-L90



(CNB095)

適合プラグ径 : $\phi 0.33\text{mm} \sim \phi 0.53\text{mm}$
 Acceptable Plug dia. $\phi 0.013'' \sim \phi 0.0209''$

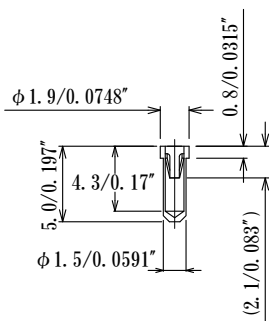
NB1125-F180-L45



(CNB1125)

適合プラグ径
 : $\phi 0.40\text{mm} \sim \phi 0.60\text{mm}$
 Acceptable Plug dia.
 : $\phi 0.0157'' \sim \phi 0.0236''$

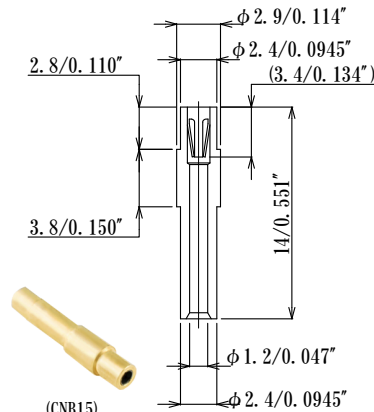
NB124-F190-L50



(CNB124)

適合プラグ径
 : $\phi 0.85\text{mm} \sim \phi 1.1\text{mm}$
 Acceptable Plug dia.
 : $\phi 0.033'' \sim \phi 0.043''$

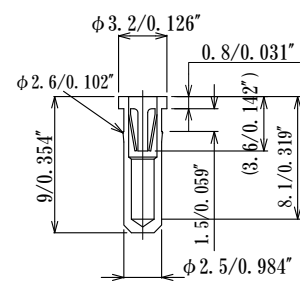
NB15-F29-CBL-L140



(CNB15)

適合プラグ径
 : $\phi 0.82\text{mm} \sim \phi 1.2\text{mm}$
 Acceptable Plug dia.
 : $\phi 0.032'' \sim \phi 0.047''$

NB195-F32-L90



(CNB195)

(mm)

Contact Part Number	Length L	D	Remarks
(J-H200Tcontact)	2.5	1.15	Four fingers Medium Force High Temp. 200°Cmax
CNB095contact	1.8	0.95	Three fingers Medium Force
CNB1125contact	1.8	1.125	Four fingers Medium Force
CNB124contact	2.1	1.24	Three fingers Medium Force
CNB15contact	3.3	1.5	Four fingers Medium Force
CNB195contact	3.6	1.95	Four fingers Medium Force
CNB200contact	3.25	2.0	Six fingers Medium Force

