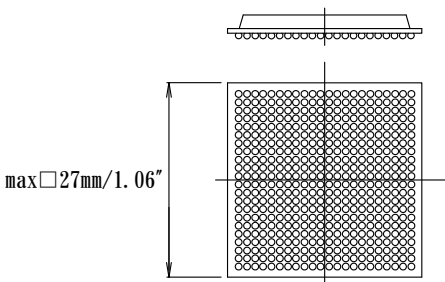


Test & Burn-In Socket, GU66 molded frame series
Size 58x66mm / 2.29x2.60"

- Features:
- High reliability
 - Cost competitive
 - Short delivery time
 - Temperature
-40°C to +150°C
(typical)

● Acceptable device size



max □ 27mm/1.06"

In the case of larger size, consult factory.
 Any device on 0.30mm pitch or larger

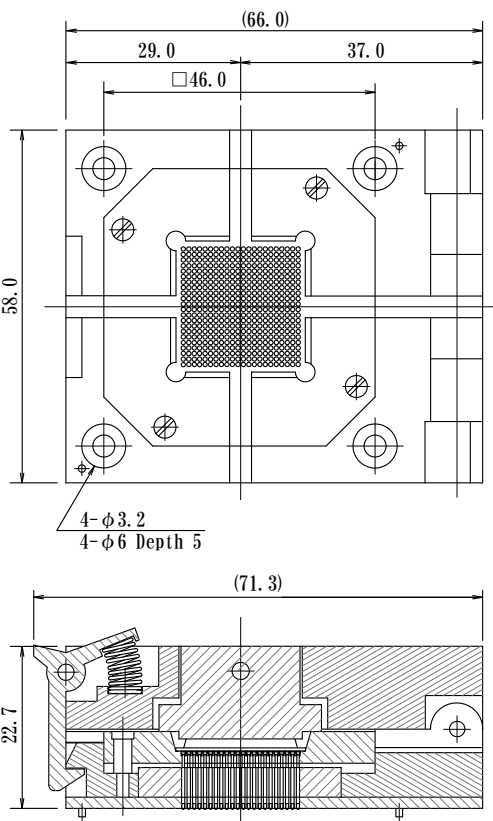
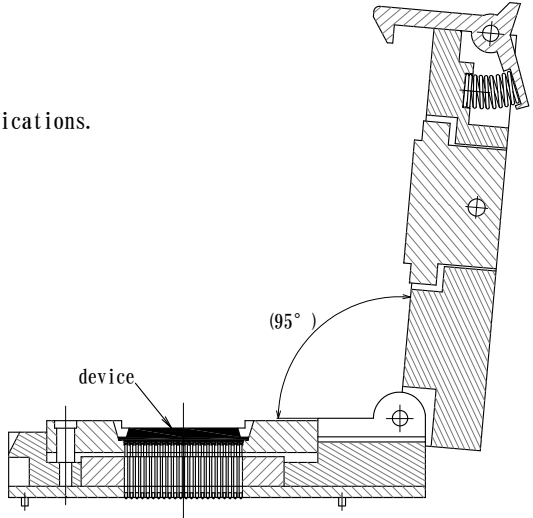
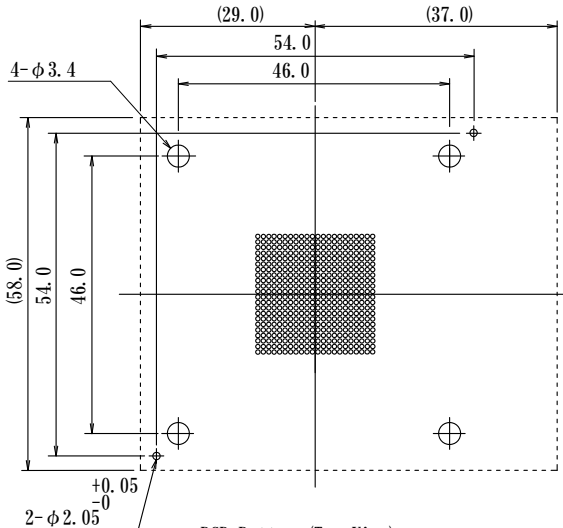


How to order

GU66-□□□□□□□□□□

P/N will be informed after fixing specifications.

example)

PCB Pattern (Top View)

mm