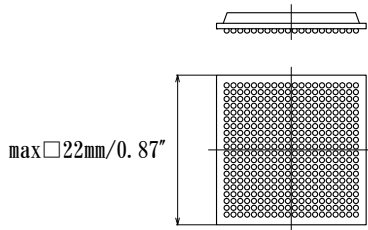


Test & Burn-In Socket, GU48 molded frame series
Size 48x59.5mm / 1.89x2.34"

- Features:
- High reliability
 - Cost competitive
 - Short delivery time
 - Temperature
-40°C to +150°C
(typical)

● Acceptable device size



In the case of larger size, consult factory.

Any device on 0.30mm pitch or larger

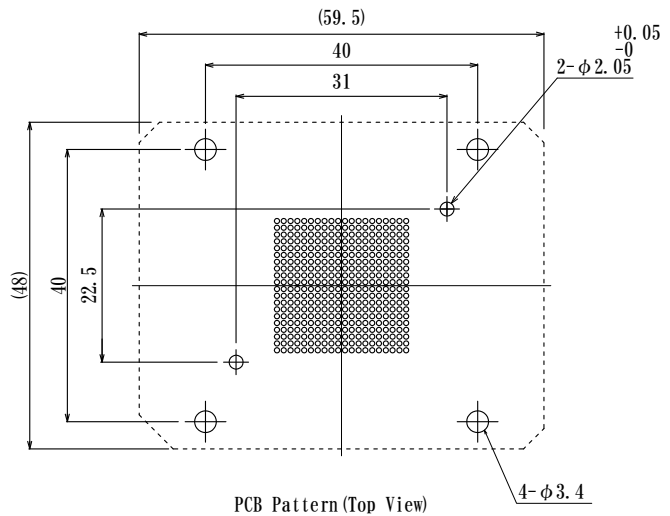
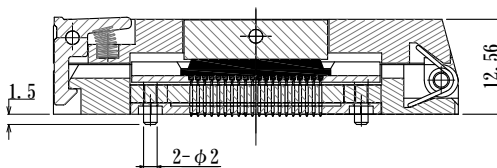
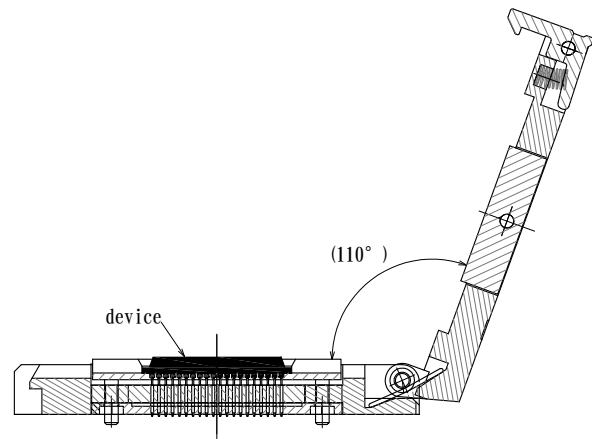
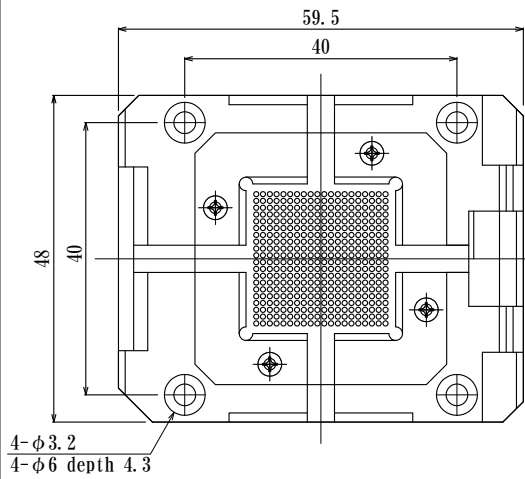


How to order

GU48-□□□□□□□□□□

P/N will be informed after fixing specifications.

example)



mm